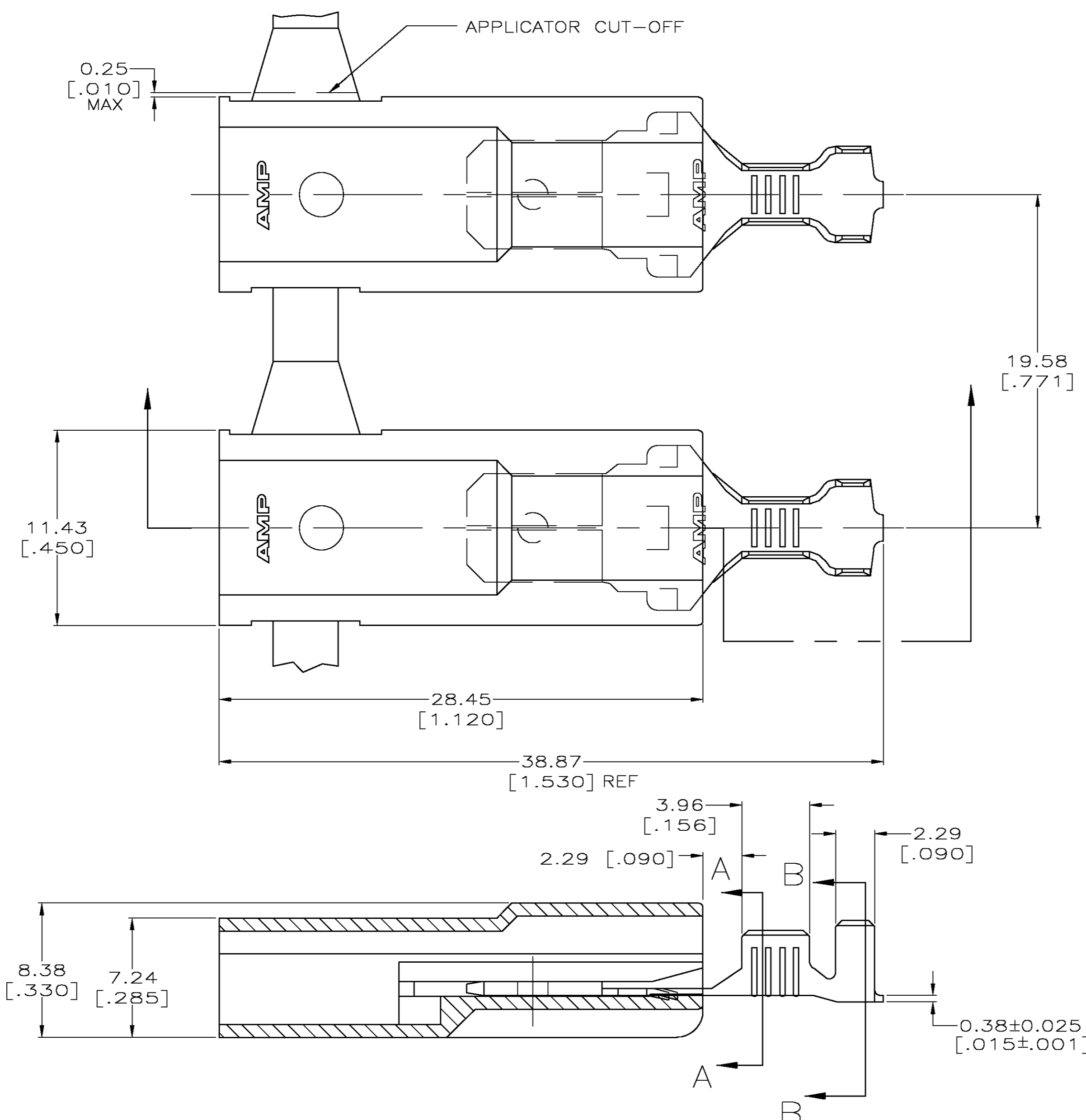
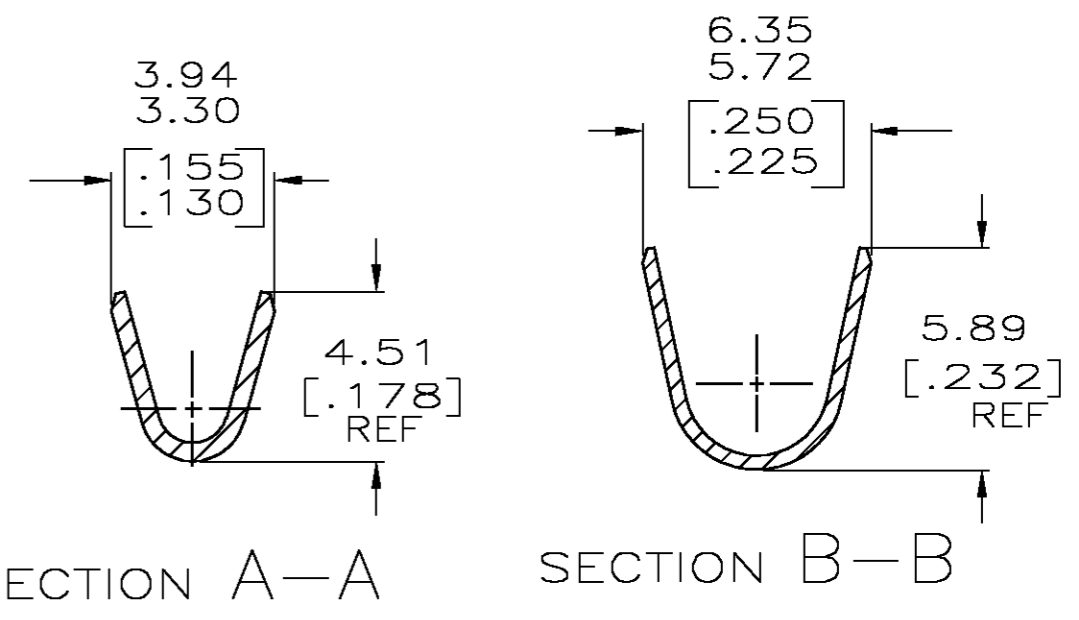


THIS DRAWING IS UNPUBLISHED. RELEASED FOR PUBLICATION
 © COPYRIGHT BY TYCO ELECTRONICS CORPORATION. ALL RIGHTS RESERVED.

LOC	DIST	REVISIONS			
P	LTR	DESCRIPTION	DATE	DWN	APVD
AF	50	D	REV PER ECR 05-001924	29APR05	JR GP



- 1 FASTON TAB BASE #1217166, ARE USED IN THIS PRODUCT.
- 2 WIRE SIZE IS [#18-#14] AWG.
- 3 INSULATION RANGE IS 3.30-4.57 [.130-.180] DIA.
- 4 MATES WITH A 6.35 X 0.81 [.250 X .032] RECEPTACLE.
- 5 MATERIAL & FINISH
 TERMINAL - 082 BRASS, SEE TABLE
 HOUSING - HIGH TEMP NYLON 6, WHITE



TIN PLATE	521451-2
-	521451-1
FINISH	PART NO.

THIS DRAWING IS A CONTROLLED DOCUMENT.

DWN	JR RUTH	21DEC01
CHK	MS FEHER	21DEC01
APVD	J HUMMEL	21DEC01
PRODUCT SPEC	108-1285	
APPLICATION SPEC	114-2124	
WEIGHT	-	

DIMENSIONS: mm [INCHES]
 TOLERANCES UNLESS OTHERWISE SPECIFIED:
 0 PLC ± -
 1 PLC ± -
 2 PLC ± 0.25 [.010]
 3 PLC ± -
 4 PLC ± -
 ANGLES ± -
 FINISH - 5

Tyco Electronics Corporation
 Harrisburg, Pa 17105-3608
 ASSEMBLY, TAB, ULTRA-POD,
 6.35 [.250] SERIES

SIZE	CAGE CODE	DRAWING NO	RESTRICTED TO
A2	00779	C=521451	-

CUSTOMER DRAWING SCALE 5:1 SHEET 1 OF 1 REV D